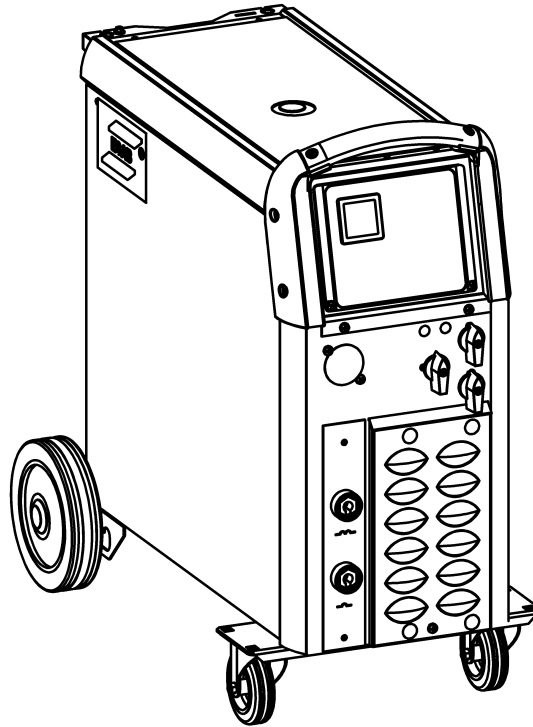


Spare parts list

Edition 20120507



Valid for serial no. 626-xxx-xxxx, 121-xxx-xxxx

Ordering no. Product

- 0349 302 676 Origo™ Mig 320, 400-415 V, 3~50Hz
- 0349 303 562 Origo™ Mig 320, 400-415 V, 3~50Hz with digital instrument
- 0349 302 613 Origo™ Mig 320, 230/400-415/500 V, 3~50Hz , 230/400-460 V, 3~60Hz
- 0349 312 600 Origo™ Mig 320, 230/400-415/500 V, 3~50Hz , 230/400-460 V, 3~60Hz with digital instrument
- 0349 312 330 Origo™ Mig 320 NA, 230/400-415/500 350Hz; 230/440 -460 V 3~60Hz

Spare parts are to be ordered through the nearest ESAB agency. Kindly indicate type of unit, serial number, denominations and ordering numbers according to the spare parts list.

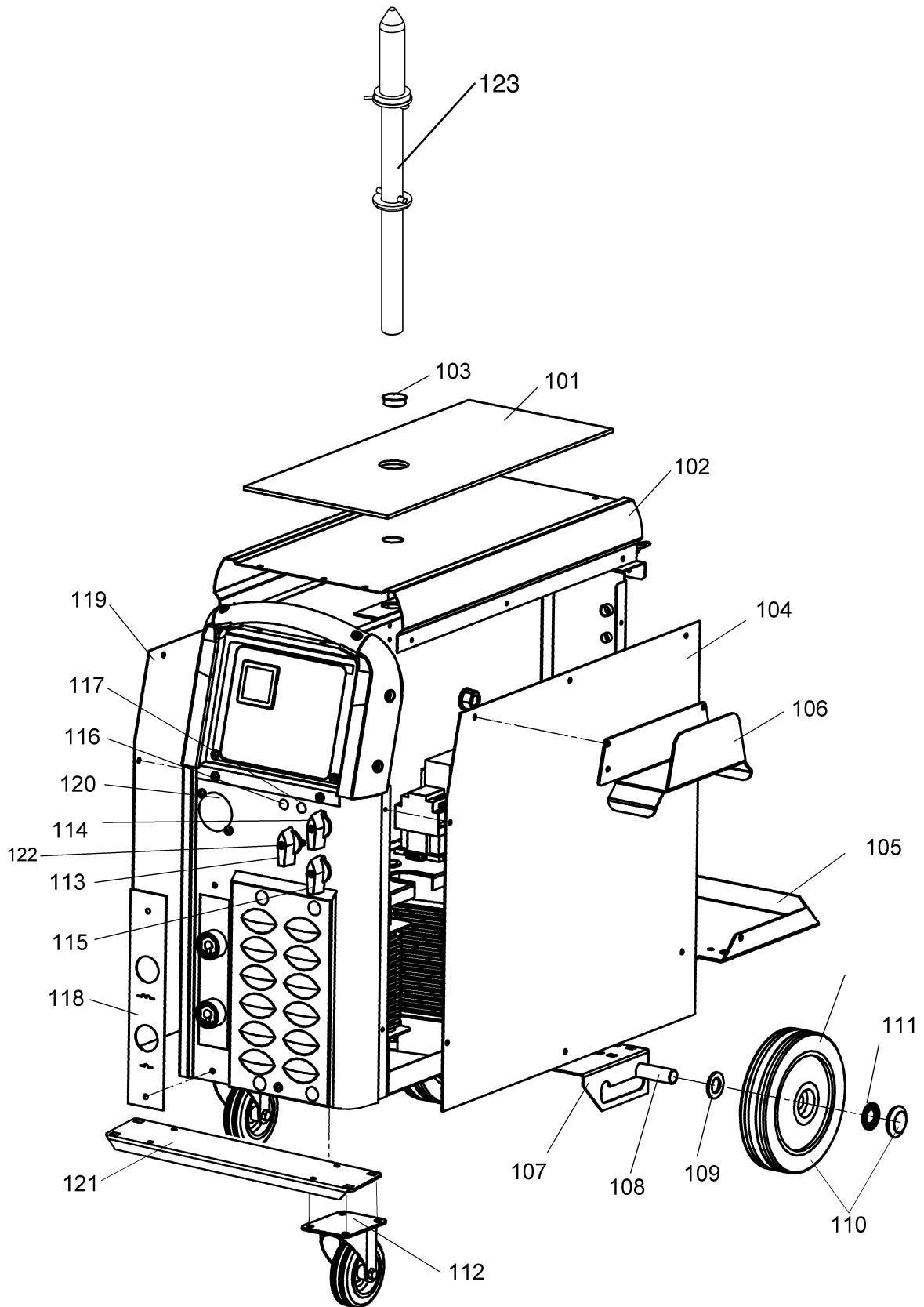
Maintenance and repair work should be performed by an experienced person, and electrical work only by a trained electrician. Use only recommended spare parts.

Rights reserved to alter specifications without notice.

C = component designation in the circuit diagram

Item	Qty	Ordering no.	Denomination	Notes	C
101	1	0349 302 700	Rubber mat		
102	1	0349 302 696	Cover		
103	1		Blind plug	Ø31	
104	1	0349 302 375	Side panel with text	Right	
105	1	0349 302 453	Shelf		
106			Holder (A)		
107	1	0349 302 318	Clamp		
108	1	0349 480 311	Shaft		
109	2	0349 481 044	Washer	Ø21	
110	2	0455 457 001	Wheel	Ø200	
111	2	0192 859 126	Locking washer	Ø200	
112	2	0349 483 461	Link wheel	Ø100	
113	1	0349 302 305	Switch	valid up to machine No.: 627-xxx-3253	QF1
	1	0349 311 381	Switch		QF1
114	1	0193 945 001	Switch	10 step	SA1
115	1	0193 942 001	Switch	4 step	SA2
116	1	0369 733 002	Signal lamp	orange	HL2
117	1	0369 733 007	Signal lamp	white	HL1
118	1	0349 302 378	OKC plate		
119	1	0349 302 376	Side panel with text	Left	
120	1		Blind plug	Ø50	
121	1	0349 303 310	Support		
122	1	0349 302 253	Knob		
123	1	0349 302 754	Guide pin		

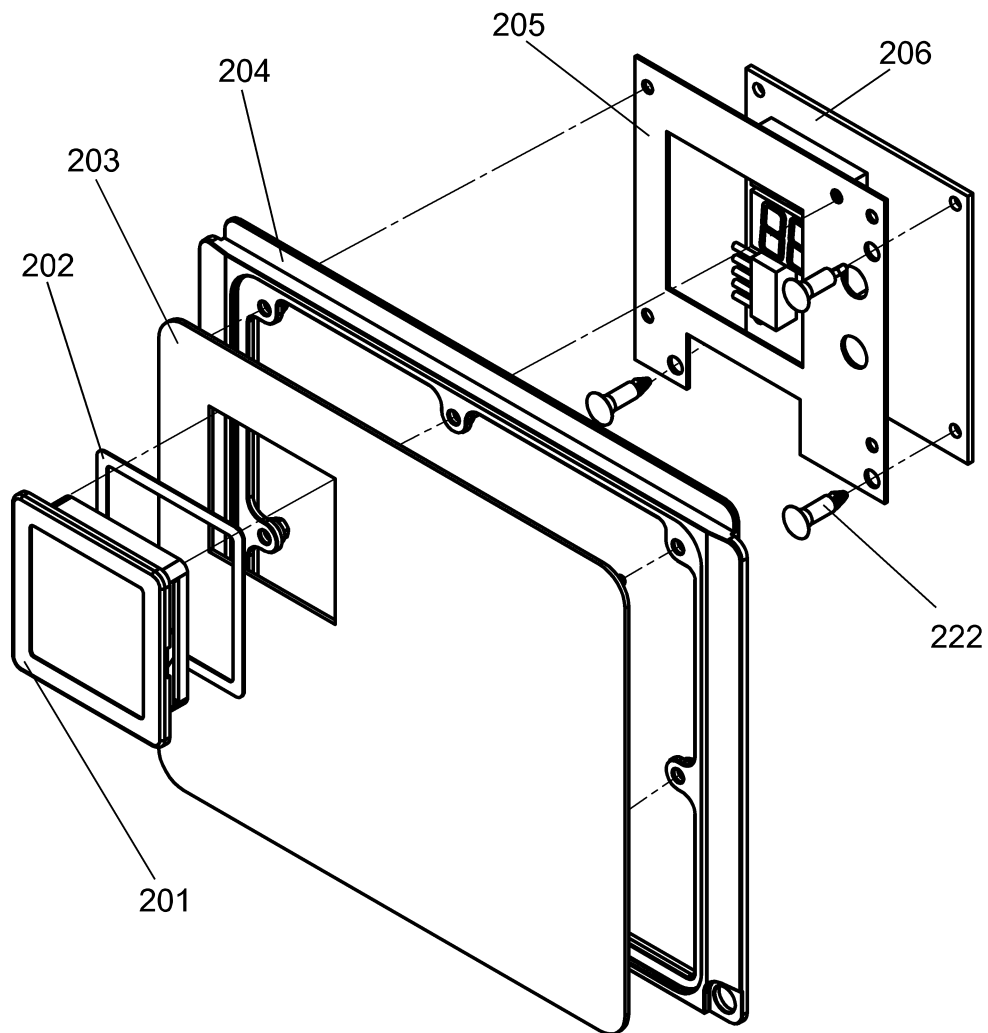
Mig 320



Mig 320

C = component designation in the circuit diagram

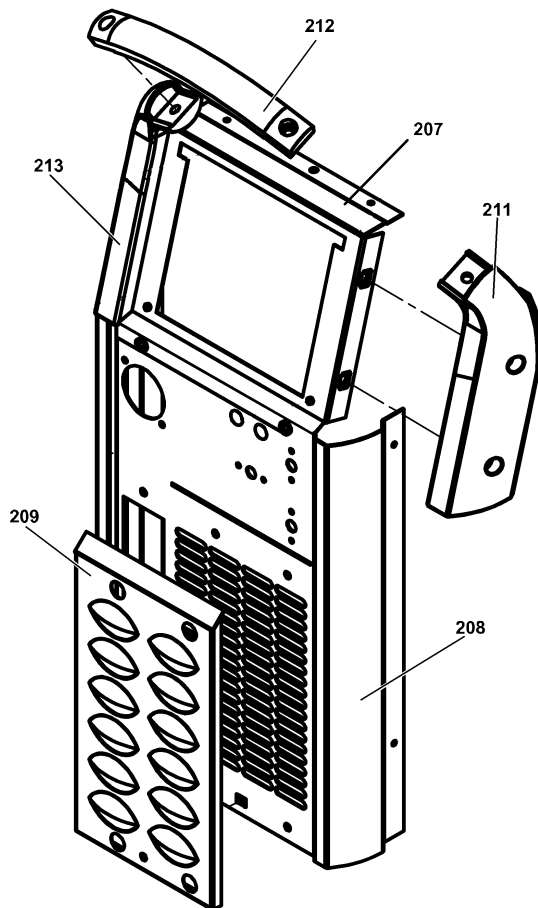
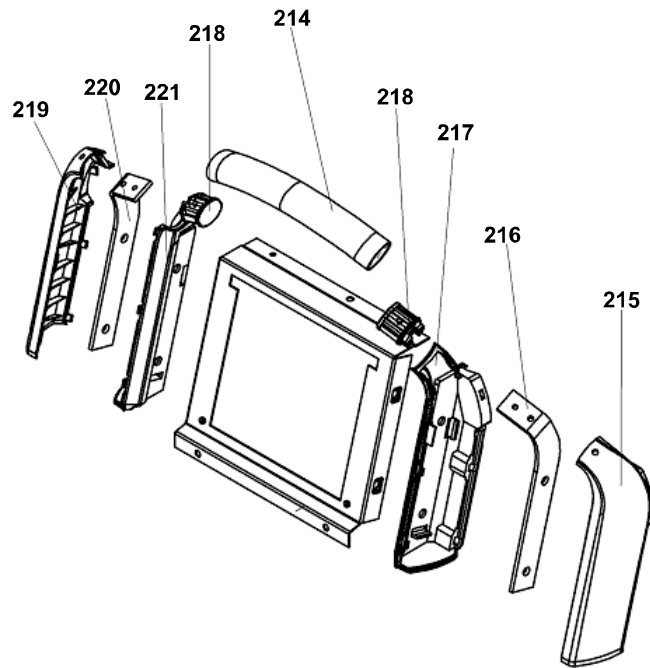
Item	Qty	Ordering no.	Denomination	Notes	C
201	1	0455 172 001	Glass		
202	1	0455 174 001	Seal		
203	1	0349 302 286	Panel		
204	1	0459 118 002	Protection frame		
205	1	0349 302 287	Plate		
206			Circuit board (A)	Included in digital instrument (A)	AP2
	1	0349 313 036		Valid up to serial no: xxx-136-xxxx	
	1	0349 312 631		Valid from serial no: xxx-137-xxxx	
222	3	0455 226 004	Spacer		



Mig 320

Item	Qty	Ordering no.	Denomination	Notes
207	1	0349 302 325	Upper front panel	
208	1	0349 302 324	Lower front plate	
209	1	0349 302 326	Grill	
211	1	0349 302 283	Right corner	Valid for serial no.: xxx 5xx xxxx to xxx 908 xxxx
212	1	0349 302 327	Handle	Valid for serial no.: xxx 5xx xxxx to xxx 908 xxxx
213	1	0349 302 282	Left corner	Valid for serial no.: xxx 5xx xxxx to xxx 908 xxxx
214	1	0349 310 964	Handle	Valid for serial no.: xxx 909 xxxx to xxx 953 xxxx, from xxx 0xx xxxx
215	1	0349 311 034	Cover right	Valid for serial no.: xxx 909 xxxx to xxx 953 xxxx, from xxx 0xx xxxx
216	1	0349 311 035	Bracket right	Valid for serial no.: xxx 909 xxxx to xxx 953 xxxx, from xxx 0xx xxxx
217	1	0349 311 033	Base right	Valid for serial no.: xxx 909 xxxx to xxx 953 xxxx, from xxx 0xx xxxx
218	2	0349 311 039	Reduction insert	Valid for serial no.: xxx 909 xxxx to xxx 953 xxxx, from xxx 0xx xxxx
219	1	0349 311 037	Cover left	Valid for serial no.: xxx 909 xxxx to xxx 953 xxxx, from xxx 0xx xxxx
220	1	0349 311 038	Bracket left	Valid for serial no.: xxx 909 xxxx to xxx 953 xxxx, from xxx 0xx xxxx
221	1	0349 311 036	Base left	Valid for serial no.: xxx 909 xxxx to xxx 953 xxxx, from xxx 0xx xxxx

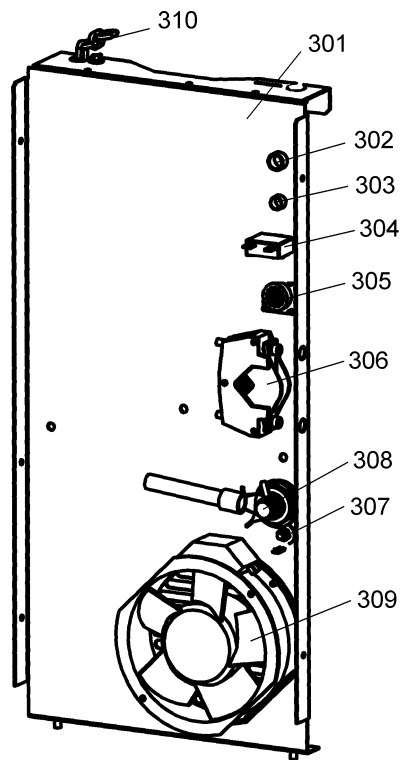
Mig 320



Mig 320

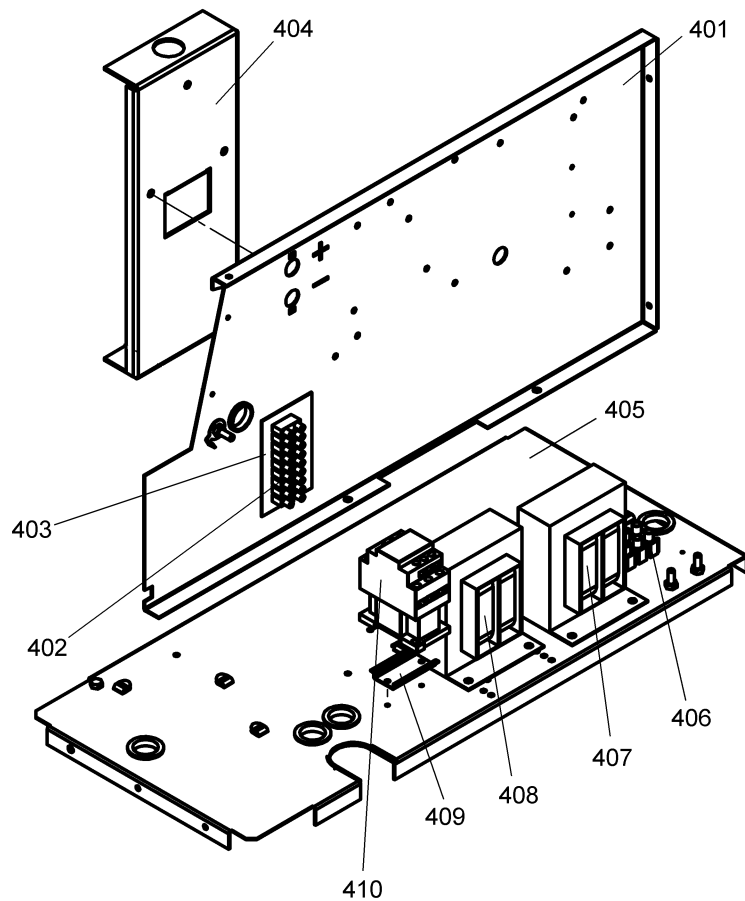
C = component designation in the circuit diagram

Item	Qty	Ordering no.	Denomination	Notes	C
301	1	0349 302 321	Rear panel		
302	1		Blind plug	Ø16	
303	1		Blind plug	Ø13	
304	1	0193 586 102	Circuit breaker	10A	FU3
305	1	0368 544 005	Sleeve socket		XS1
306	1	0469 950 880	Cable inlet		
307	1	0349 303 303	Capacitor		C2
308	1	0160 362 881	Current terminal	1 pol	XS4
309	1	0349 483 510	Fan		EV1
310	1	0321 173 001	Securing chain		



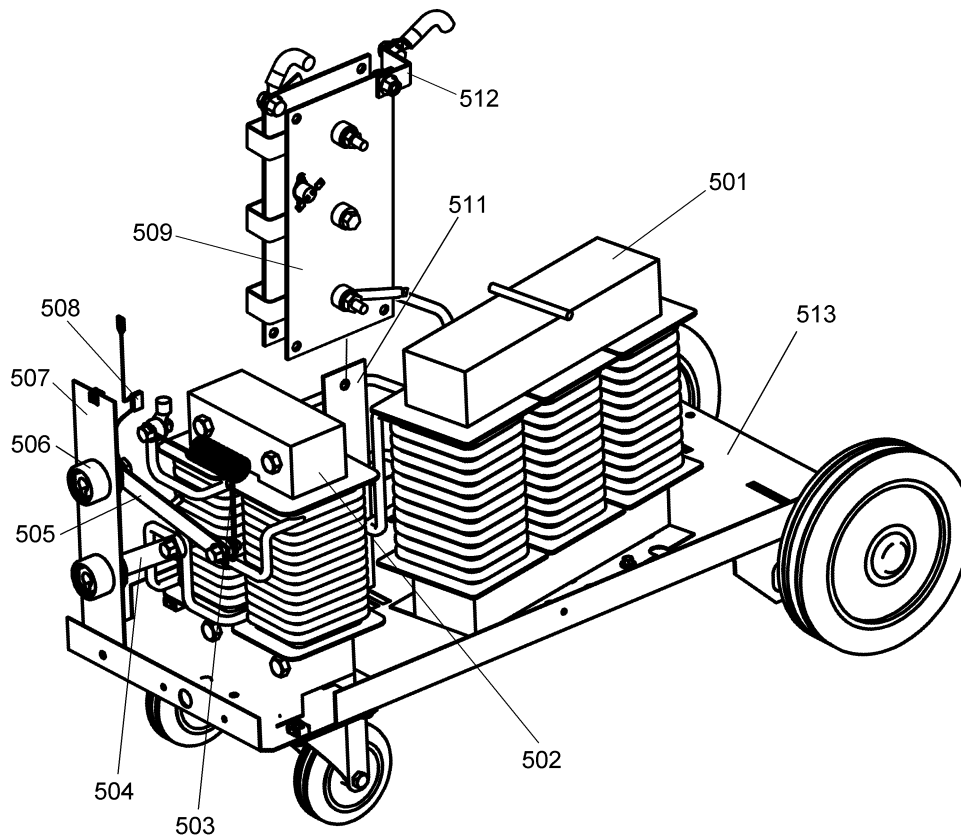
C = component designation in the circuit diagram

Item	Qty 400- 415V	Qty 230- 500V	Ordering no.	Denomination	Notes	C
401	1	1	0349 302 366	Intermediateplate		
402	1	1	0349 303 841	Terminal	$\frac{3}{4}$	XT2
403	1	-	0349 491 160	Plate		
	-	1	0349 491 163	Plate		
404	1	1	0349 302 705	Support		
405	1	1	0349 302 338	Intermediateplate		
406	1	1	0162 781 002	Terminal	$\frac{1}{4}$	XT3
407	1	1		Transformer (A)		TC2
408	1	-	0455 633 001	Transformer		TC1
	-	1	0455 634 001	Transformer		TC1
409	1	1	0193 298 101	Bracket		
410	1	-	0193 297 103	Contactora		KM1
	-	1	0193 502 101	Contactora		KM1

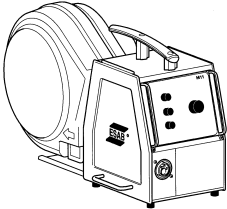
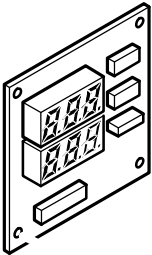
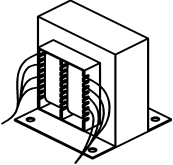
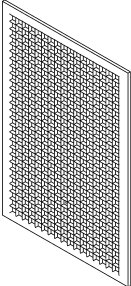
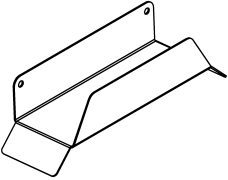


C = component designation in the circuit diagram

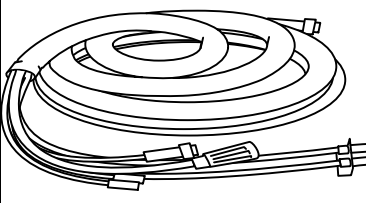
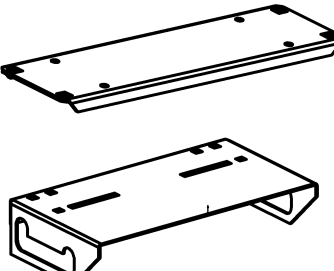
Item	Qty	Ordering no.	Denomination	Notes	C
501	1	0349 302 344	Transformer		TM1
	1	0349 483 724	Thermal switch		
502	1	0455 328 880	Inductor		L1
503	1	0349 302 349	Resistor		R1
504	1	0349 492 823	Rail		
505	1	0349 492 824	Rail		
506	2	0160 362 881	Current terminal		XS2 XS3
507	1	0349 302 348	Plate		
508	1	0349 302 352	Capacitor		C1
509			Diode bridge		V1-V6
	1	0349 302 346		Valid up to serial no: xxx-041-xxxx	
	1	0349 311 925		Valid from serial no: xxx-042-xxxx	
511	1	0349 302 354	Bracket		
512	1	0455 495 001	Rail		
513	1	0349 302 317	Bottom plate		



Accessories

	<p>Feeder with capsulated bobbin</p> <p>Origo™ Feed 302 0459 116 781</p> <p>Origo™ Feed 304 0459 116 882</p>
	<p>Digital meter 0349 302 598</p>
	<p>Transformer kit for CO₂ heater 0349 302 250</p>
	<p>Filter 0349 302 599</p>
	<p>Cable holders 0349 303 362</p>

Mig 320

	<p>Connection sets</p> <table><tr><td>Connection set 1,7m</td><td>0469 836 880</td></tr><tr><td>Connection set 10m</td><td>0469 836 881</td></tr><tr><td>Connection set 15m</td><td>0469 836 882</td></tr><tr><td>Connection set 25m</td><td>0469 836 883</td></tr><tr><td>Connection set 35m</td><td>0469 836 884</td></tr></table>	Connection set 1,7m	0469 836 880	Connection set 10m	0469 836 881	Connection set 15m	0469 836 882	Connection set 25m	0469 836 883	Connection set 35m	0469 836 884
Connection set 1,7m	0469 836 880										
Connection set 10m	0469 836 881										
Connection set 15m	0469 836 882										
Connection set 25m	0469 836 883										
Connection set 35m	0469 836 884										
	<p>Stabilizer 0349 303 475</p>										

